



## AB1 Series with FAB5 Fine Adjust

## Adjust-A-Ball for Ø1" Mirrors



### DESCRIPTION

The AB1-B and AB1-C mirror mounts are designed with a center of mass that allows its coefficient of thermal expansion (CTE) to have even distribution about the center of a mirror. Results have demonstrated temperature fluctuations do not influence optical alignment. The smooth, multiaxial movement of our Adjust-A-Ball® provides an intuitive alignment mechanism for beginner and experienced optical scientists alike. The AB1-B is available in a black exterior, while the AB1-C offers a silver-colored package.

Additionally, the optional FAB5-B and FAB5-C fine adjust mounts can improve the resolution of the AB1's optical alignment even further. They accommodate a Ø1/2" mirror, secured with retaining ring (included). The AB1 mirror mount has optional epoxy pocket for permeant placement. With a 5/64" ball driver, quickly and easily adjust your alignment using three adjustment screws on the face of the optical mount. Lock nuts are included and can be ordered separately. The FAB5-B offers a black exterior and the FAB5-C comes in a silver-colored package to match your preferred mirror mount.

### AB1 FEATURES & BENEFITS

- Laser points to and stays in stable position
- Does not move with temperature change
- Does not move when locked
- Locks by hand
- Compact size Ø1.5 x 2.1 tall
- Post mountable for adjustable optical height
- Ease of alignment with one smooth swing of the mount
- ± 11 degrees pitch and roll/360 degrees yaw
- Underside M4x0.7 threaded mounting hole (6.5 mm deep)

### FAB5 FEATURES & BENEFITS

- Mounts standard Ø0.5" and Ø12 mm optics
- ±7° adjustability
- >0.88 µm sensitivity
- Modular design compatibility with Adjust-A-Ball
- Mounts to industry standard Ø1"-40 TPI threaded hole)

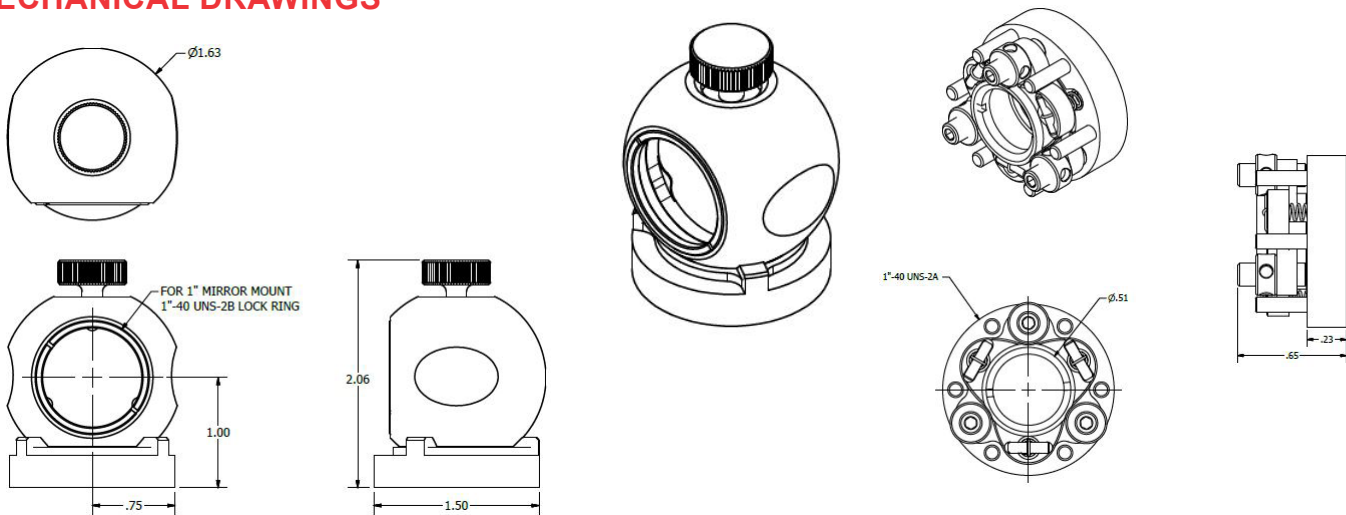
## SPECIFICATIONS

	AB1-B (B782)	AB1-C (B760)
Product Color	Black	Silver
Dimensions (inches)	Ø1.5 x 2.1 tall	Ø1.5 x 2.1 tall
Center of Mirror Height	1" Nominal	1" Nominal
Post Mountable	Yes	Yes
Adjustment	± 11 degrees pitch and roll/360 degrees yaw	± 11 degrees pitch and roll/360 degrees yaw
Mounting	Underside M4x0.7 threaded mounting hole (6.5mm deep). Compatible with thread adapters for direct placement on breadboards with M6 or ¼-20 threads	Underside M4x0.7 threaded mounting hole (6.5mm deep). Compatible with thread adapters for direct placement on breadboards with M6 or ¼-20 threads

	FAB5-B (B785)	FAB5-C (B761)
Product Color	Black	Silver
Adjustment	±7°	±7°
Sensitivity	>0.88 µm	>0.88 µm

## MECHANICAL DRAWINGS



## COMPLIANT & REGISTERED

